

## ENGINEERING DATA SHEET

<i>Easy Maintenance Base</i>		
Date	Supersedes	No.
03/25/99	06/25/93	17E

The Easy Maintenance Base, supplied as standard on all Chempumps, facilitates assembly, disassembly and maintenance without removing the unit to a workbench and without disturbing piping connections.

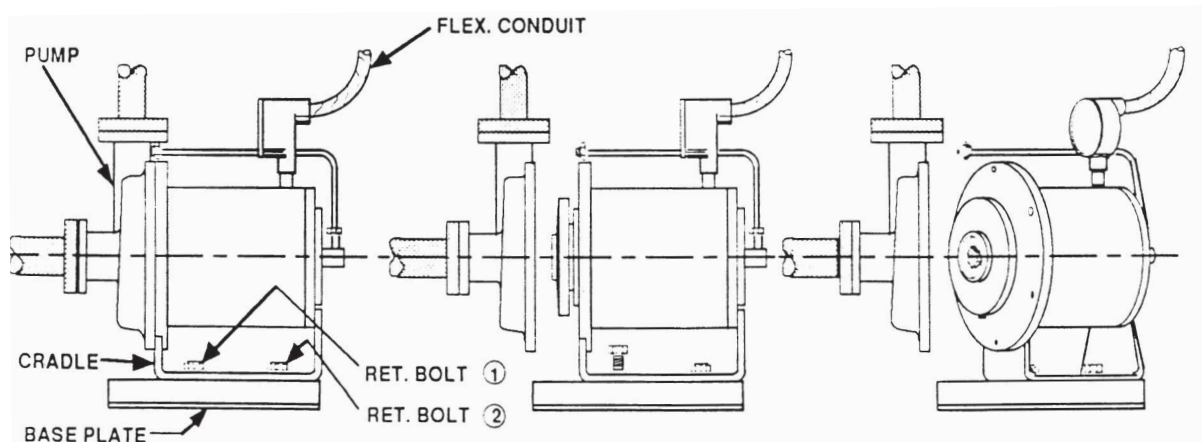


Figure 1. Easy Maintenance Base

As shown in the diagram above this unique base assembly can be utilized in the following manner:

1. Drain the pump and system of process fluid.
2. Remove circulating tube, back flush piping, or reverse circulation piping if so equipped.
3. Remove water jacket inlet and outlet and drain connections (if used).
4. Remove bolts holding motor section to pump casing.
5. Loosen, do not remove, the large bolt or bolts which hold together the upper (cradle) and lower (base plate) sections of the base assembly.
6. Pull the motor section, resting on the cradle, away from the pump casing until the impeller hub is clear of the casing. Then, rotate the motor section and cradle to a point which will allow further disassembly of the unit or remove the bolt holding the cradle to the base and remove the entry unit.

Larger models are provided with a base which uses two bolts to connect the cradle section to the base plate. When disassembling these models, one bolt must be removed and the other loosened. Then, pull the motor from the pump casing and rotate the motor section and cradle so that further disassembly is possible.

The power leads to the motor may require a flexible cable to allow for easy movement of the motor section after removal of the pump casing bolts.